

SERIES 3000/4000

SINGLE SLIDER AND
SINGLE HUNG WINDOWS



Craftsmanship. Style. Performance.

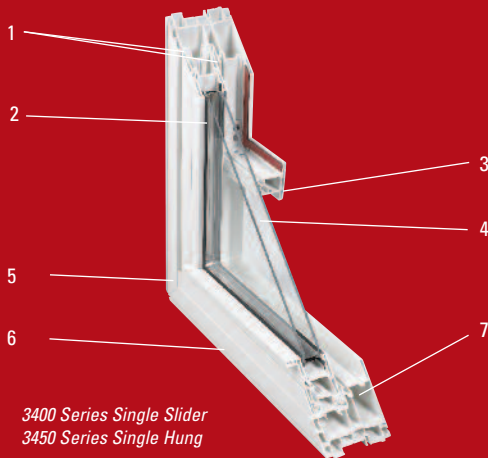
Strassburger
SINCE 1949
WINDOWS AND DOORS



A Breath of Fresh Air...

Clean, crisp appearance with energy efficient performance

The remarkable performance of Strassburger windows is the result of attention to the smallest of details in the quest for premium product quality.



3400 Series Single Slider
3450 Series Single Hung



4400 Series Single Slider
4450 Series Single Hung

- 1 Multiple weather-stripping provides remarkable air tightness, reducing heating and air conditioning costs
- 2 Interior glazing bead design allows the window to withstand winds of over 350 km/h (220 mph).
- 3 Easy to operate sash
- 4 Accommodates virtually all types of glazing
- 5 Fusion welded seams create a 100% water and airtight surface and increase the structural integrity of frames and sashes
- 6 Interior and exterior grooves allow for brickmoulds, nailing flanges, returns and jamb extensions
- 7 Strassburger windows have the highest number of internal chambers

Performance - Test Results

	Air	Water	Wind	Forced Entry
Single Slider	A3/F	B3 - B5	C3 - C5	F20
Single Hung	A3/F	B3 - B4	C3 - C5	F20
Ind. Standard	A1	B1	C1	F1

Products tested to new NAFS standard (AAMA/WDMA/CSA101/I.S.S/A440-08)



Single Slider



Single Hung

3400 Series Single Slider / 3450 Series Single Hung

This 3 1/4" deep profile is versatile for new construction or replacement applications.

4400 Series Single Slider / 4450 Series Single Hung

At 4 9/16" deep, this profile comes complete with built-in drywall retainer. Ideal for new construction applications with deeper walls.

A traditional looking window that's simple to operate and easy to clean. Single slider windows have one sash fixed while the other opens from side to side. Single hung windows have the top sash fixed in place while the bottom slides up and down and tilts in for easy cleaning. Both window styles offer superior ventilation control, are ideal for the variable Canadian climate and are CSA-A440 compliant and meet EnergyStar® requirements.

- Designed to make life easier, moveable sashes tilt open for easy cleaning. Single slider can be ordered with optional inward tilting sash
- Window operation is smooth, consistent, and effortless
- Strassburger single slider and single hung windows have outstanding insulation and sound abatement qualities, as well as excellent thermal efficiency and increased strength
- 100% uPVC extrusions are designed to provide superior resistance to severe weather conditions
- Steel cam locking system provides heavy-duty security. Available only in white
- Multiple weather-stripping keeps the elements out
- Available in a range of glass types and thicknesses including single, double and triple glazing
- Designed to be aesthetically and structurally compatible with other Strassburger window and door styles
- Standard extrusion colours is solid white. See colour chart for exterior standard and custom colours



Coil Balance

Premium stainless steel constant force coil balance systems provide smooth and consistent operation.



Tilt Pin

Sashes either tilt or lift in easily by sliding the contoured tilt pins and releasing the latches.



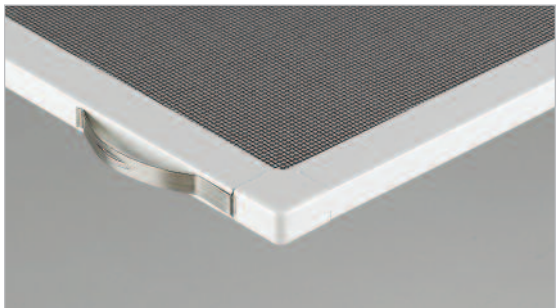
Lift Rail

Full sized double-walled lift rail is exceptionally sturdy for years of comfortable and trouble-free operation.



It's All In The Details

Our attention to detail doesn't stop at the windows... it's the finishing touches that make a Strassburger window complete



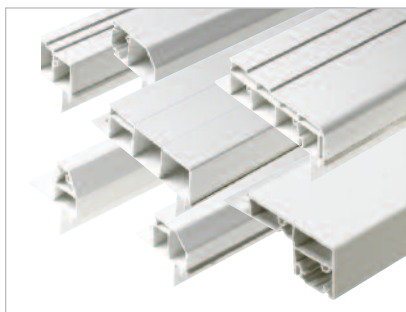
Strassburger screens are smooth, clean and tidy. Screen retention is a spring clip built into the corners. Easy to install and simple to remove for cleaning and maintenance. Standard mesh is black fibreglass. Other options available.



Standard cam lock closes tightly to provide security and peace-of-mind.



Optional spring loaded hardware locks automatically.



Brickmould and trim options

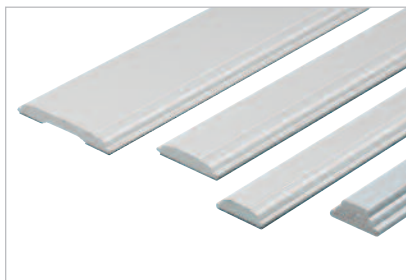
A wide variety of decorative brickmoulds, drywall returns, jamb extensions and trim options are available to finish the window. Most brickmoulds have tear-out systems to allow for siding. Available only in standard white, these extrusions can be painted to match your chosen window frame colour.



Grille designs complement your architectural style

Grilles placed within the airspace between the insulating glass create a sleek, traditional look that is easy to clean. We offer a wide selection of grille styles and colours that will enhance the look of your windows and complement the design of the building.

Multiple shapes, sizes and colours* of grilles to choose from. Exact colour matches to grilles are not always possible. Default grilles are pewter or an SDL grille.

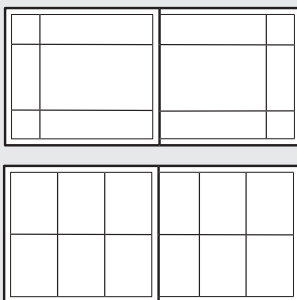


Simulated Divided Lites

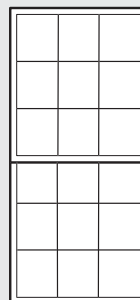
Surface mounted grille bars create a unique and distinctive multi-pane effect known as simulated divided lites.



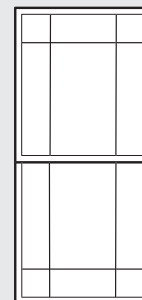
Choose from a variety of patterns to create the window style that complements your architecture and your individual taste.



Horizontal Slider - Prairie (top) and Colonial (bottom)



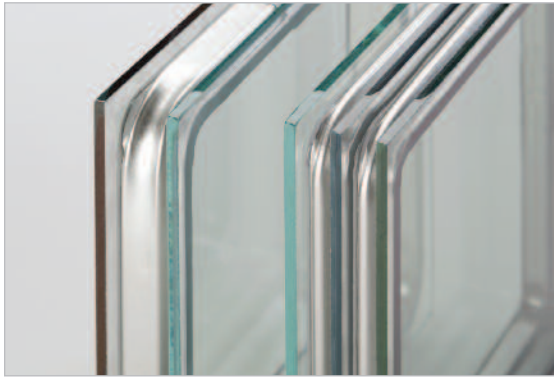
Vertical Slider - Colonial



Vertical Slider - Prairie



Vertical Slider - Ladder



Double and triple glazed windows deliver outstanding thermal performance. Low conductivity warm edge spacers keep the panes of glass apart.



The benefits of PVC, the appearance of wood

Doublenature® provides a range of inspiring looks that add beauty and a feeling of cosy comfort to your project, whether it's large or small, doors or windows. Doublenature® offers the organic and natural warmth of wood... without maintenance.

At once trendy and timeless, the natural wood finish of the Doublenature® collection blends with other materials and textures to give your project its own unique look.

With a finish that is applied to the inside and outside of the vinyl frame system, Doublenature® products provide the most realistic wood finish in the PVC industry. In conjunction with our variety of stained fibreglass doors it's the perfect combination of beauty and practicality, innovation and tradition.

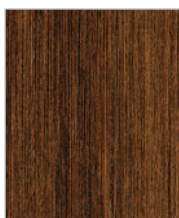
Doublenature® is a water-based, UV-resistant stain available in a range of natural colours inspired by some of the world's most noble wood species: oak, walnut, mahogany, golden pecan, cherry and redwood.

Doublenature finishes are available only in the 4000 Series.

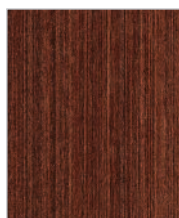
Doublenature® finish options



Oak



Walnut



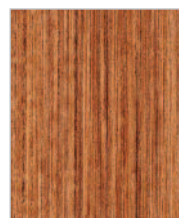
Mahogany



Golden Pecan



Cherry



Redwood

*Colour disclaimer: We cannot guarantee that the colours shown in the product images are exactly correct to the product. Please consult your Strassburger Windows and Doors dealer for a more accurate product and colour chip match.

New technology turns glass into insulation

Strassburger windows are glazed with cutting edge technology from Cardinal Glass. Through research and engineering Cardinal glass adds new standards of comfort, energy savings and value to you home. Cardinal glass is specifically designed to let clear light stream into your home while rejecting the sun's heat and damaging UV rays that shorten the life of drapes and furniture. All Cardinal units come complete with the XL Edge spacer system which provides proven thermal and structural performance.

LoE-i89 turns double-pane windows into triple pane performers

- energy-saving roomside coated glass
- more light transmittance
- less reflectance

LoE-180 is the ideal glass for passive solar applications

- high solar gain
- blocks interior heat loss to outside
- dramatic comfort improvements

LoE²-272 delivers year round comfort

- reflects heat back into room on cold days
- promotes easier control and maintenance of interior air
- reflects harmful UV rays

LoE³-366 rejects the sun's heat without affecting the view

- provides premium insulation and comfort
- rejects 95% of sun's damaging UV rays
- highest levels of energy savings

Neat™ windows almost clean themselves

- ultra smooth glass treatment
- windows stay cleaner longer

Preserve™ factory applied protective film

- saves time, money and jobsite hassles
- simply peels off

Standard or custom. You pick the colour

You've chosen the right door system to make your home just the way you want it, now it's time to pick that perfect colour. We offer 50 standard colours chosen specifically to complement any new home design or retro-fit. Custom colour matching is also available. All exterior paint colours come with a 15 year warranty. All exterior stain colours are warranted for 10 years.

These finishes are formulated to look better, last longer and are applied by our own specialists in a controlled, dust-free environment. We take care to use only water soluble paint so clean-up and disposal is efficient and doesn't affect the environment.







The Energy Plus company since 1949

Proudly Canadian, we're dedicated to designing and building energy efficient products

Strassburger Energy Star® energy-efficient windows deliver year-round comfort and reduce, if not eliminate, condensation during colder weather. All Strassburger windows come with many glazing options to suit your needs and the region you live in.

To qualify for the Energy Star® mark, windows must meet strict technical requirements for thermal performance. They must qualify based on either their U-value (rate of heat transfer from a warm area to a cold area) or their Energy Rating (a scale that takes into account a product's U-value, potential solar gain and air tightness). To ensure the integrity of the Energy Star® mark, all product testing is done by accredited laboratories under standardized, quality-controlled conditions. Visit our website to review all the Energy Star® and NFRC ratings on all our products.



The best windows, backed by the best warranty

We're so confident in the windows we design and produce, we guarantee them for life

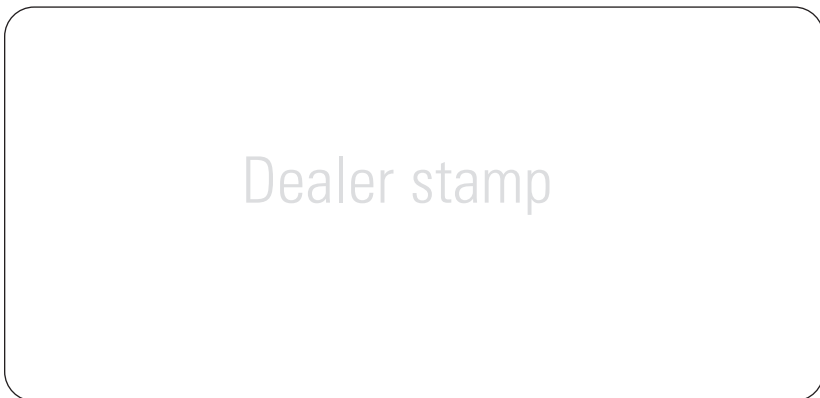
We promise to adhere to the highest standards of honesty and integrity in all our relationships with customers, suppliers, prospects and employees and at all times provide high-quality products and service.



See our complete line of windows and talk to one of our knowledgeable sales personnel at our head office show room.



Cardinal Glass Industries



Dealer stamp



strassburger.net